

Waste Line Cleaning Trolley

>WLC1-A<



AIRBUS CERTIFIED

Developed for cleaning vacuum waste line systems of different aircraft types. (ATA Chapter 38)

Suitable for all aircraft types with vacuum waste line systems, e.g.

- A318 / A319 / A320 / A321 (TEB 320-D0351)
(TEB 320-D0352)
- A330 / A340 (TEB 340-D0620)
- A350 (TEB 350-D0135)
- A380 (TEB 380-D0271)
- B737
- B767
- B747 / B777
- B787

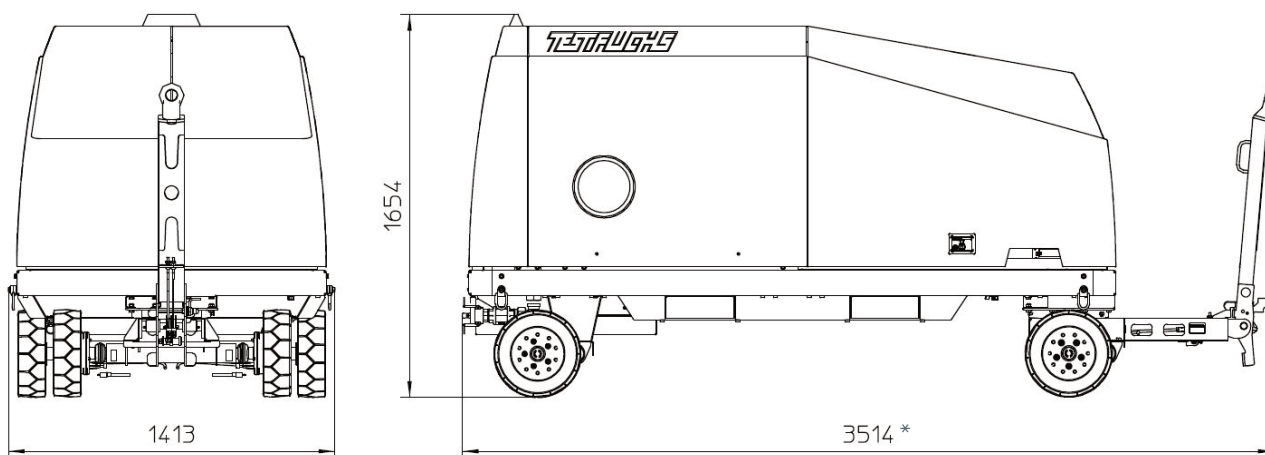
Certifications:

certified for the use on A320ALL, A330/A340 ALL, A350 ALL, A380 ALL

- > Fully automatic cleaning process (no monitoring required)
- > Automatic leakage test of vacuum waste line system before cleaning process start-up
- > Implementation during standard maintenance tasks (e.g. Line Maintenance Check)
- > Preselectable cleaning time enables high flexibility, perfect cleanliness is provided within a few hours
- > Implementation for already significantly clogged waste lines as well as for preventive cleaning
- > Environmental friendliness is ensured by usage of water and citric acid as cleaning agents

TECHNICAL DATA

<p>> Electrical supply:</p> <p>Mains supply: 3/PE AC 50-60Hz 380-480V Nominal current: max. 21A (max. 32A with Option B)</p> <p>Power: 14,6kVA (max. 22,1kVA with Option B)</p> <p>Preliminary fuse: 25A gL (max. 32A gL with Option B)</p> <p>(electricity- and performance characteristics at 400V 50Hz)</p>	<p>> Operating conditions:</p> <p>Ambient temperature: 5 to 40°C (41 to 104°F)</p> <p>Storage temperature: 0 to 60°C (32 to 140°F)</p> <p>Altitude: max. 1,000m MSL (3,280ft)</p> <p>Humidity: 5 to 90% (non-condensing)</p> <p>Noise emission: max. 63dB(A) in 1m distance</p>
<p>> Dimensions and weight:</p> <p>approx. 1,200kg (approx. 2,645.5lb)</p>	



* if option G is implemented, the total length is 3700mm

STANDARD SCOPE OF DELIVERY

- > 1 EA water supply hose, 20m (65ft), on hose reel with standard claw coupling (GEKA)
- > 3 EA cleaning hose, 20m (65ft) each, on hose reel with couplings
- > 2 EA Blanking caps for cleaning hose
- > 2 EA A/C sensor head each with a sensor cable (40m (130ft)) on cable reel for measurement and monitoring
- > 1 EA A/C adapter 0,4m 0° to connect cleaning hoses to the vacuum waste line system
- > 1 EA A/C adapter 0,4m 90° to connect cleaning hoses to the vacuum waste line system
- > 1 EA electrical connection cable, 20m (65ft), with CEE-plug (32A)
- > 1 EA rope, 20m (65ft), with carabiner to lift the cleaning hoses up to cabin height and bag for storage
- > 2 EA strain relief for cleaning hoses
- > 3 EA. Blanking caps A/C Waste Line (in case, leaking toilets can be repaired and pipes can be blanked off)
- > 1 EA waste water hose, 10m (33ft), with couplings and caps, stored in an extractable drawer
- > 1 EA Ball valve „SUPPLY“ (to avoid leaking of cleaning fluid in the A/C while connecting or disconnecting)
- > 1 EA Ball valve „RETURN“ (to avoid leaking of cleaning fluid in the A/C while connecting or disconnecting)
- > 2 bags of citric acid (25kg each) for initial cleaning

ACCESSORIES (optionally available)

- > Dust cover
- > Additional waste water hose 10m (33ft) with couplings and caps, stored in a separate storage shelf between the fork lift access points.



Dust cover
(Exemplary figure)



Waste water hose

OPTIONS

> **Option B - Continuous-flow heater**

This option is recommended if no warm water (at least 30°C / 85°F) is available in the hangar. The integrated continuous-flow heater enables filling with cold water (at least 10°C / 50°F).

> **Option C - Motor drive for hose reel**

The hose reel for the cleaning hoses is motor driven. Operated via foot switch, it enables guiding hoses with both hands.

> **Option D - Tool box with drawer and storage shelf for citric acid**

For small parts such as cleaning cloths, glasses, protective clothing etc. a drawer is installed. The two bags of citric acid can be stored on the integrated shelf which is protected against rain.

> **Option E - Spring-loaded chassis**

Spring-loaded axes are integrated into the chassis to prevent damage due to long distance trailing.

> **Option F - Cover paint alternative to standard**

Skydrol resistant paint is used.

Standard cover paint: light grey (RAL 7035) with upper part in traffic blue (RAL 5017)

> **Option G - Connection for waste service truck**

An adapter is mounted on the tank in order to connect a Waste Service Truck and to drain the tank content of the device into this Truck.

> **Option H - Drain pump**

Mounted vane pump to drain the tank in a container provided therefore or in the Waste Service Truck if it has an integrated vacuum pump.