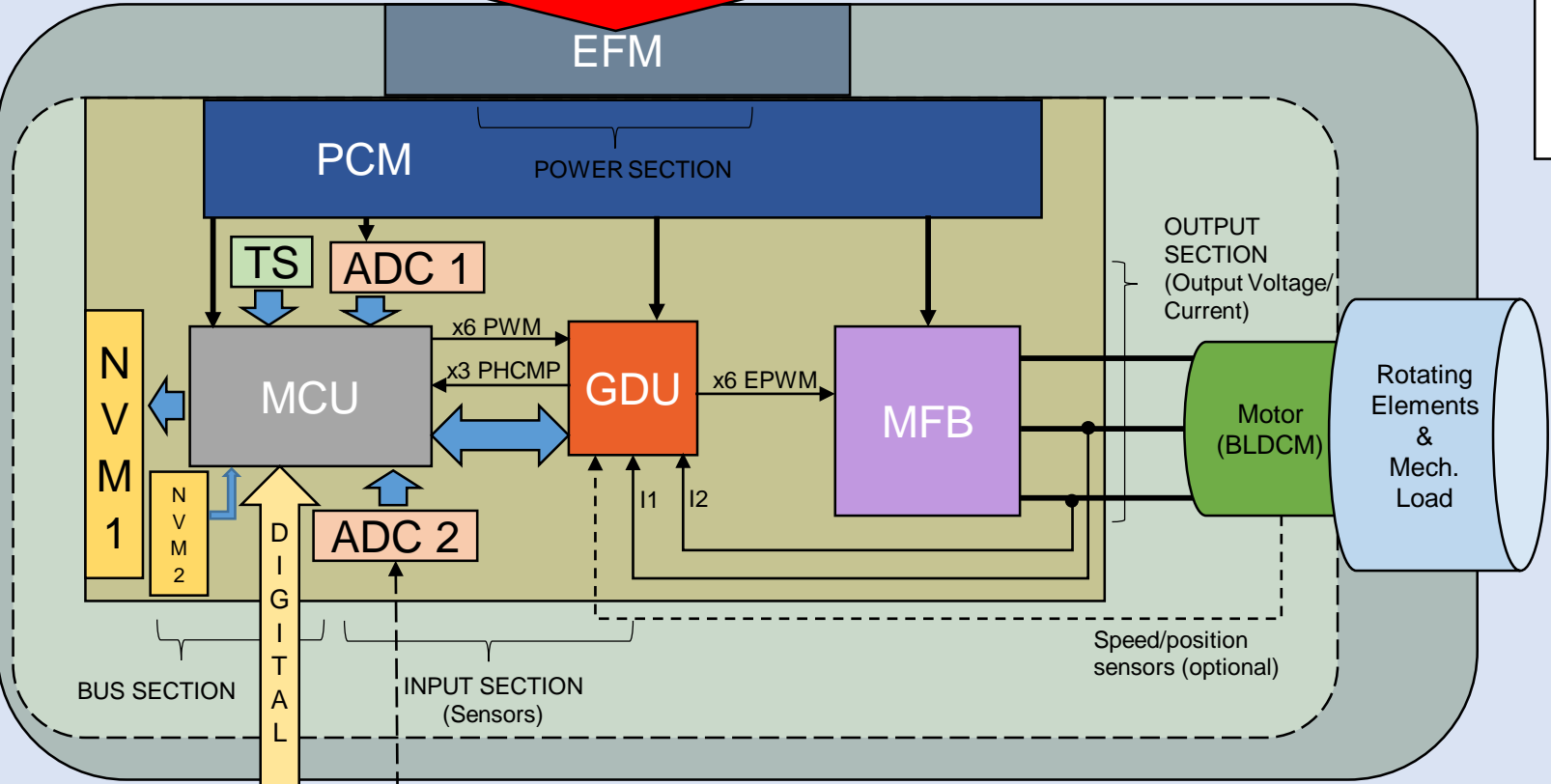


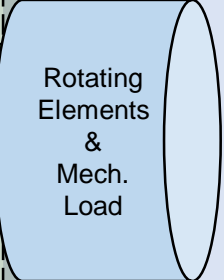
Upstream Power Source
(e.g. A/C electric network)

Power Supply
(Input Supply Voltage)

ADC	Analog-Digital Converter
BLDCM	Brushless DC Motor
EFM	External Filtering Module
EPWM	Enhanced PWM
GDU	Gate Driver Unit
MCU	Microcontroller Unit
MFB	Mosfet Bridge
NVM	Non-Volatile Memory
PCM	Power Conditioning & Management
PHCMP	Phase Comparator
PWM	Pulse Width Modulation
TS	Temperature Sensor



OUTPUT SECTION
(Output Voltage/
Current)



Speed/position
sensors (optional)

- Electric Motor Drive structure (e.g. Cartridge)
- Mechanical Assembly
- SMC (Housing)
- Internal Bus System (SPI, I2C, etc.)

BUS SECTION

INPUT SECTION
(Sensors)

DIGITAL
BUS

1x External Sensor (optional)

EXTERNAL ENVIRONMENT
(A/C or H/C, Hydraulics, FMS, Avionics, etc.)